

Pb Free Plating Product

DFR10A20CTS/DFR10A40CTS/DFR10A60CTS



10 Ampere Insulated Series Connection Fast Recovery Half Bridge Rectifiers

Features

- * Latest GPP technology with super fast recovery time
- * Low forward voltage drop
- * High current capability
- * Low reverse leakage current
- * High surge current capability

Application

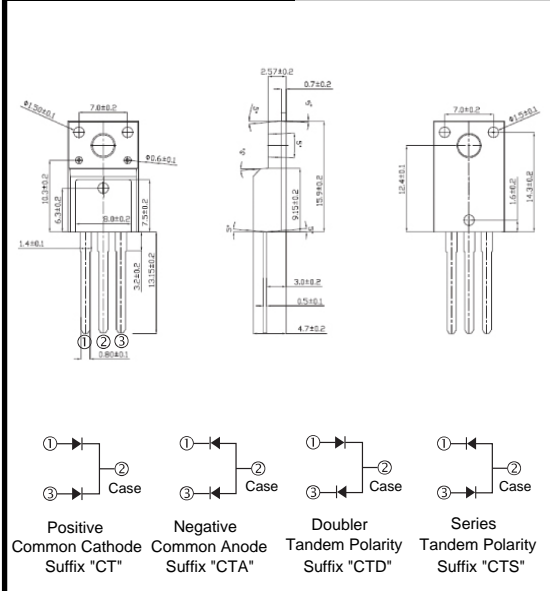
- * Automotive Inverters and Solar Inverters
- * Plating Power Supply, SMPS, EPS and UPS
- * Car Audio Amplifiers and Sound Device Systems

Mechanical Data

- * Case: Fully Isolated Molding TO-220FP
- * Epoxy: UL 94V-0 rate flame retardant
- * Terminals: Solderable per MIL-STD-202 method 208
- * Polarity: As marked on diode body
- * Mounting position: Any
- * Weight: 2.0 gram approximately

ITO-220AB

Unit:mm

**MAXIMUM RATINGS AND ELECTRICAL CHARACTERISTICS**

Rating at 25°C ambient temperature unless otherwise specified.

Single phase, half wave, 60Hz, resistive or inductive load.

For capacitive load, derate current by 20%.

	SYMBOL	DFR10A20CTS	DFR10A40CTS	DFR10A60CTS	UNIT
Maximum Recurrent Peak Reverse Voltage	V _{RRM}	200	400	600	V
Maximum RMS Voltage	V _{RMS}	140	280	420	V
Maximum DC Blocking Voltage	V _{DC}	200	400	600	V
Maximum Average Forward Rectified Current T _C =100°C	I _{F(AV)}	10.0			A
Peak Forward Surge Current, 8.3ms single Half sine-wave superimposed on rated load (JEDEC method)	I _{FSM}	100			A
Maximum Instantaneous Forward Voltage @ 5.0 A	V _F	0.98	1.3	1.7	V
Maximum DC Reverse Current @T _J =25°C At Rated DC Blocking Voltage @T _J =125°C	I _R	5.0 100			uA uA
Maximum Reverse Recovery Time (Note 1)	T _{rr}	35			nS
Typical junction Capacitance (Note 2)	C _J	65			pF
Typical Thermal Resistance (Note 3)	R _{θJC}	2.2			°C/W
Operating Junction and Storage Temperature Range	T _J , T _{STG}	-55 to +150			°C

NOTES : (1) Reverse recovery test conditions I_F = 0.5A, I_R = 1.0A, I_{rr} = 0.25A.
 (2) Measured at 1.0 MHz and applied reverse voltage of 4.0 Volts DC.
 (3) Thermal Resistance junction to case.

FIG.1 - FORWARD CURRENT DERATING CURVE

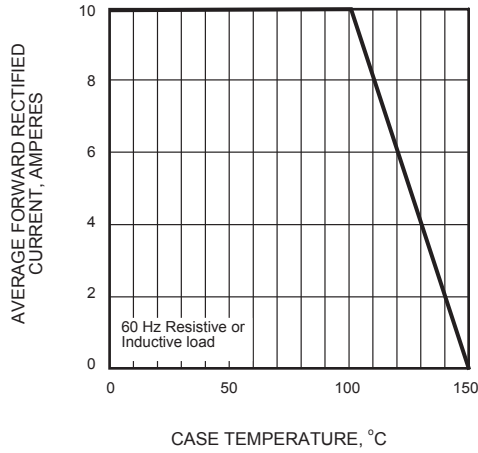


FIG.2 - MAXIMUM NON-REPETITIVE PEAK FORWARD SURGE CURRENT

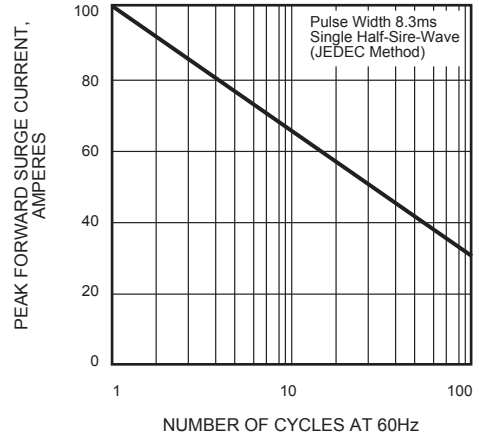


FIG.3 - TYPICAL INSTANTANEOUS FORWARD CHARACTERISTICS

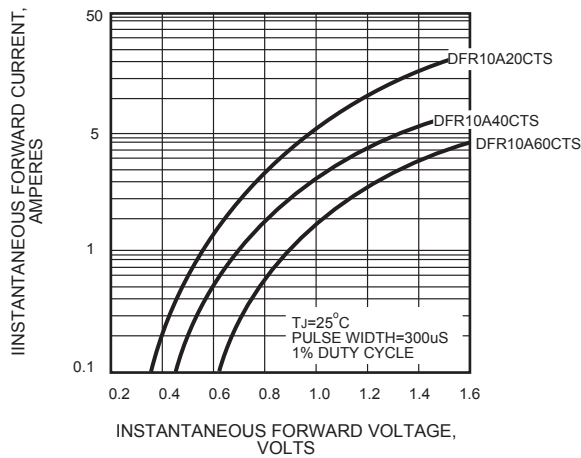


FIG.4 - TYPICAL REVERSE CHARACTERISTICS

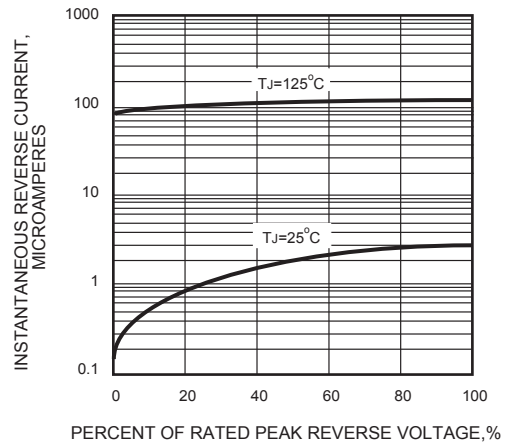


FIG.5 - TYPICAL JUNCTION CAPACITANCE

